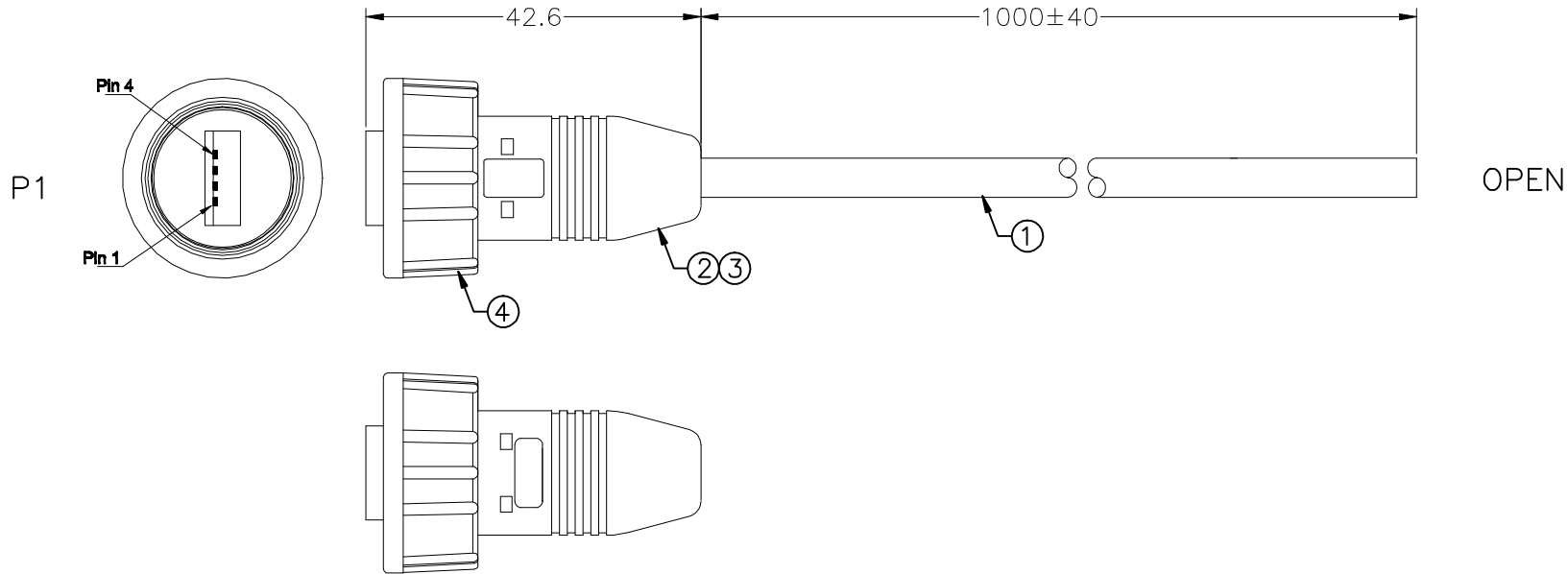


REV	DESCRIPTION	DATE	APPROVED
S0	CREATED DRAWING	2017/08/16	EUGENE
S1	UPDATE DRAWING	2017/12/27	HSM



TESTING CONDITIONS:  
 1. VOLTAGE:300V DC/0.01S.  
 2. INSULATION RESISTANCE: 10 Mohms min.  
 3. CONDUCTIVE RESISTANCE: 5 Ohms max.  
 4.100% OPEN AND SHORT ELECTRICAL TEST.

\*ALL MATERIALS ARE RoHS COMPLIANT.

WIRE LIST

P1	PAIR	COLOR	
1	———	RED	OPEN
2	XX	WHITE	
3	XX	GREEN	
4	———	BLACK	
SHELL	———	DRAIN	

④	N/A	NUT PA66 BLACK (PL00014, SGJ01053)	1	PCS
③	PL00008	BLACK PVC 30P (SGN01232,SGW01231)	10	g
②	CN00511	USB A/M CONNERTOR SOLDER	1	PCS
①	YDDA0071	USB 2.0 28AWG*1P+24AWG*2C+AL.MY+D+B JACKET BALCK PVC OD=5.0mm (UV RESISTANT)	1	PCS
ITEM		SPECIFICATION	Q'TY	UNIT

**SIGNAL**  
 Shenzhen Signal Electronics Co., LTD

TITLE: USB A M TO OPEN PVC USB2.0 CABLE  
 SGN NO: 940104-05-002  
 DWG NO:   
 CUSTOMER: A-KAB-USBA-MS-1M  
 REV: S1

DRWN BY:   
 DATE:   
 CHECKED BY:   
 DATE:   
 APPROVED BY:   
 DATE:

TOLERANCES ARE:  
 DECIMALES: .x ±0.5, .xx ±0.20  
 ANGLES: x.' ±2.0', .x' ±1.0'

THIRD ANGLE PROJECTION  
 SIZE: A4  
 UNITS: mm  
 SCALE:   
 SHEET: 1 OF 1

THE INFORMATION CONTAINED IN THIS DRAWING IS THE SOLE PROPERTY OF SIGNAL COMPANY. ANY REPRODUCTION IN PART OR WHOLE WITHOUT THE WRITTEN PERMISSION OF SIGNAL COMPANY IS PROHIBITED.