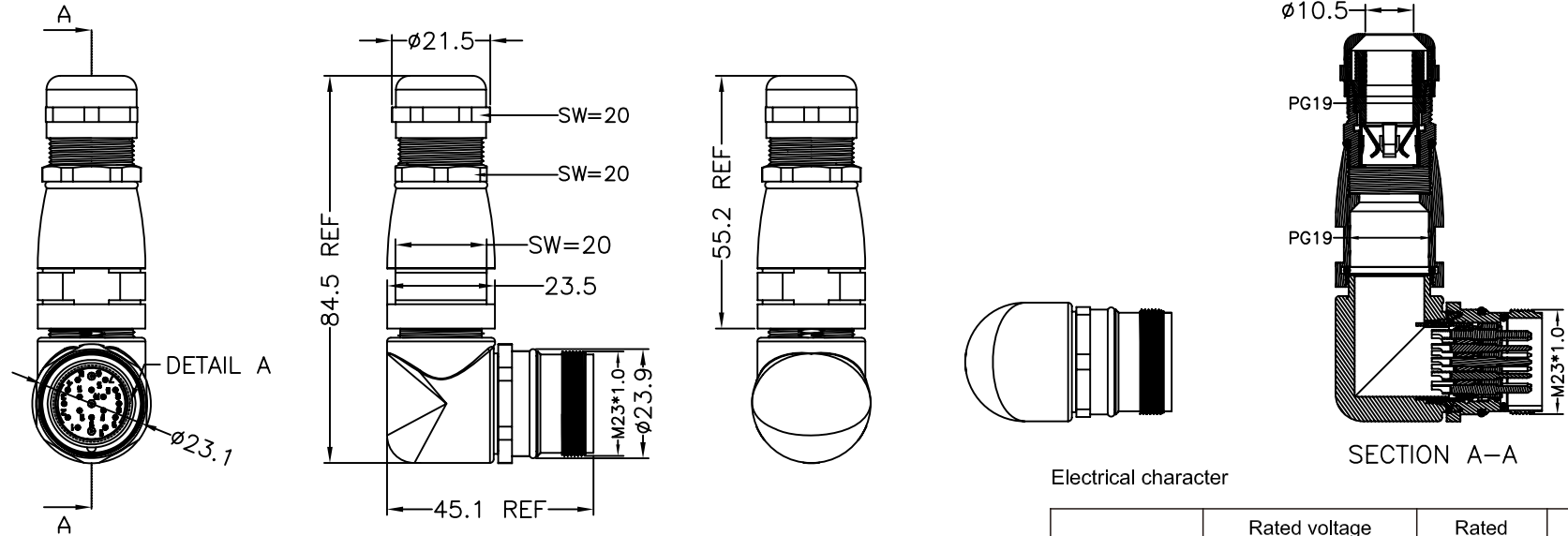


PROJECT NO:
SGNYD1708070-3

REV	DESCRIPTION	DATE	APPROVED
S0	CREATED DRAWING	2017/09/11	CRB



Detailed Product Description:
Waterproof connector rating is IP67/IP68
Protected from dust and water during immersion, resistant to many oils and chemical etc

Other Specification
Contact PIN: Brass with Gold plating.
Coupling nut/screw: Brass with nickel plating
Insulation plastic: PA66+GF
Degree of protection: IP67/IP68
Operating temperature: -25°C ~ +85°C

*ALL MATERIALS ARE RoHS COMPLIANT.

Electrical character

Contacts	Rated voltage		Rated current	Contact Resistance	Cable OD (mm)
	A/C	D/C			
	250V	250V	20A	3mΩ	6~8
	250V	250V	20A	3mΩ	6~8
	250V	250V	8+20	3mΩ	6~8
	150V	150V	8A	3mΩ	6~8
	150V	150V	8A	3mΩ	6~8
	150V	150V	8A	3mΩ	6~8
	150V	150V	8A	3mΩ	6~8
	150V	150V	(8+10)A	3mΩ	6~8

④	N/A	M23 RING	N/A	PCS
③	N/A	M23 SHELL	N/A	PCS
②	N/A	M23 TERMINAL	N/A	PCS
①	N/A	M23 HOUSING	N/A	PCS
ITEM	PART NO.	SPECIFICATION	Q'TY	UNIT

SIGNAL®

Shen Zhen Signal Electronics co.,Ltd

TITLE M23 MALE HEAD METAL ASSEMBLY (ELBOW)

SGN NO	REV.
DWG NO	SO
CUSTOMER	

TOLERANCES ARE:		THIRD ANGLE PROJECTION	
DECIMALES	ANGLES	SIZE: A4	UNITS: mm
.x ±0.5	x.' ±2.0'	SCALE: 1:1	SHEET: 1 OF 1
.xx ±0.20	.x' ±1.0'		

THE INFORMATION CONTAINED IN THIS DRAWING IS THE SOLE PROPERTY OF SIGNAL COMPANY. ANY REPRODUCTION IN PART OR WHOLE WITHOUT THE WRITTEN PERMISSION OF SIGNAL COMPANY IS PROHIBITED.