

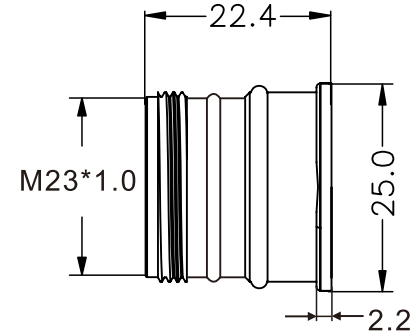
REV	DESCRIPTION	DATE	APPROVED
S0	CREATED DRAWING	2017/02/21	SXY

Detailed Product Description:  
 Waterproof connector rating is IP67/IP68  
 Protected from dust and water during immersion,  
 resistant to many oils and chemical etc

Electrical character  
 Insulation resistance: >100MΩ  
 Contact resistance of the connector ≤ 3 mΩ

Other Specification  
 Contact PIN: Brass with Gold plating.  
 Coupling nut/screw: Brass with nickel plating  
 Insulation plastic: PA66+GF  
 Degree of protection: IP67/IP68  
 Operating temperature: -25°C ~ +85°C

\*ALL MATERIALS ARE RoHS COMPLIANT.



Electrical character

Contacts	Rated voltage		Rated current	Contact Resistance	Insulation resistance
	A/C	D/C			
	250V	250V	20A	3mΩ	100MΩ
	250V	250V	20A	3mΩ	100MΩ
	250V	250V	8+20	3mΩ	100MΩ
	150V	150V	8A	3mΩ	100MΩ
	150V	150V	8A	3mΩ	100MΩ
	150V	150V	8A	3mΩ	100MΩ
	150V	150V	(8+10)A	3mΩ	100MΩ

<b>SIGNAL</b> <sup>®</sup> Shenzhen Signal Electronics Co., LTD		TITLE M23 M F REAR MOUNT CONNECTOR	
		SGN NO	REV.
DRAWN BY	DATE	DWG NO	S0
CHECKED BY	DATE	CUSTOMER	
APPROVED BY	DATE	TOLERANCES ARE:	
<small>THE INFORMATION CONTAINED IN THIS DRAWING IS THE SOLE PROPERTY OF SIGNAL COMPANY. ANY REPRODUCTION IN PART OR WHOLE WITHOUT THE WRITTEN PERMISSION OF SIGNAL COMPANY IS PROHIBITED.</small>		DECIMALES	ANGLES
		.x ±0.5	x' ±2.0'
		.xx ±0.20	.x' ±1.0'
		THIRD ANGLE PROJECTION	
		SIZE: A4	UNITS: mm
		SCALE:	SHEET: 1 OF 1