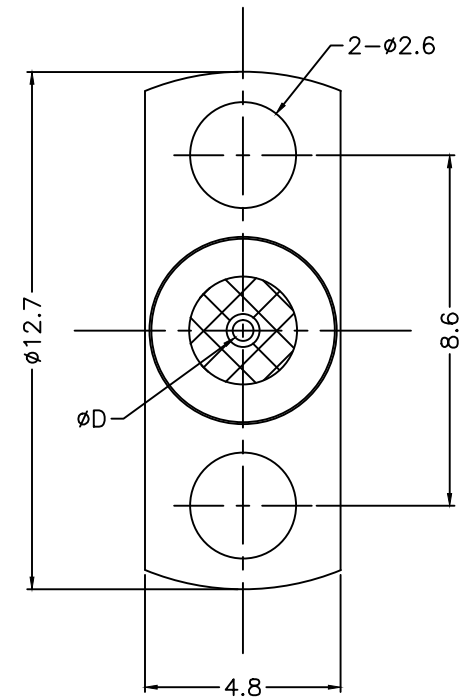
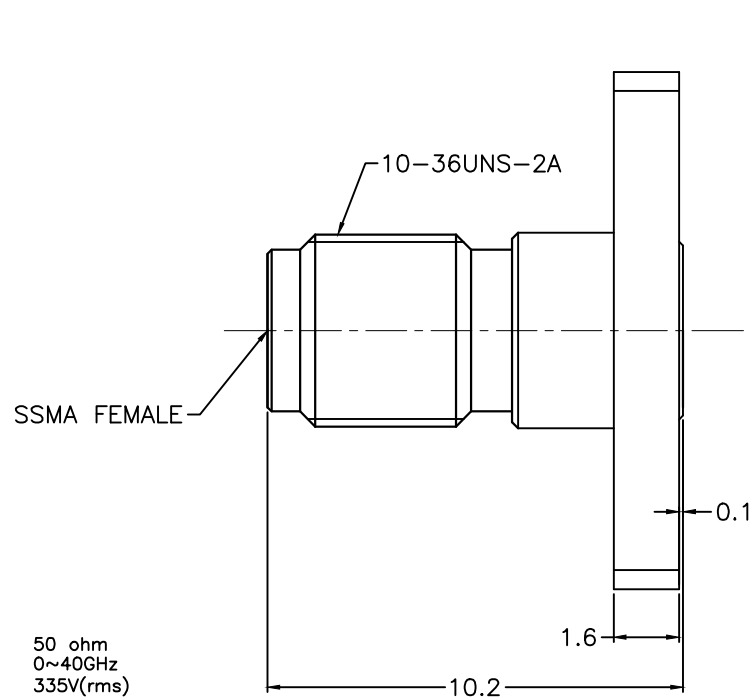


NOTICE:
 RoHS ALL PARTS MUST MEET TO RoHS REQUIREMENTS
 CUSTOMER OUTLINE DRAWING

REV.	DESCRIPTION	ECN NO.	NAME	DATE
S0	FIRST EDITION	N/A	XU	2018/10/22

ORDER NO.	∅D
805000-00-491	0.23mm
805000-00-492	0.30mm
805000-00-493	0.38mm
805000-00-494	0.46mm
805000-00-495	0.51mm



1. MATERIALS AND PLATING

BODY: Passivation of stainless steel
 CONTACT PIN: Beryllium copper with gold 30u" plating
 INSULATOR: PTFE ASTM-D-1710

2. ELECTRICAL CHARACTERISTICS


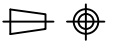
Impedance: 50 ohm
 Frequency range: 0~40GHz
 Voltage rating: 335V(rms)
 Dielectric withstanding voltage: >500V
 Contact resistance:
 Center contact: <5.0mΩ
 Outer contact: <2.5mΩ
 Insulation resistance: >5000MΩ
 Insertion loss: <0.05x√F(GHz) dB
 RF-leakage: N/A
 VSWR: <1.30
 3rd Intermodulation: N/A

3. MECHANICAL CHARACTERISTICS

Force to engage and disengage: N/A
 Center contact retention force: >6 lbs
 Recommended coupling torque: N/A
 Coupling nut retention force: N/A
 Durability: >500 cycles

4. ENVIRONMENTAL CHARACTERISTICS

Temperature range: -65°C~+165°C

		TITLE: 50ohm, SSMA Straight Female 2-Hole Flange Connector	
		APPROVED:	CUSTOMER P/N:
CHECKED:	SCALE: 6 : 1	ORDER NO. 805000-00-491~495	.x ±0.5 x.° ±5.0° .xx ±0.3 .x° ±3.0°
DRAWING: XU	DATE: 2018-10-22	THIRD ANGLE PROJECTION 	SIZE: A4 UNITS: mm SCALE: SHEET: 1 OF 1