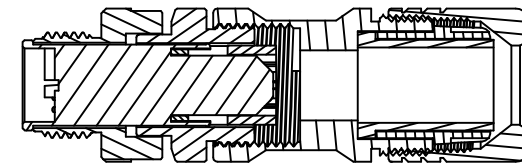
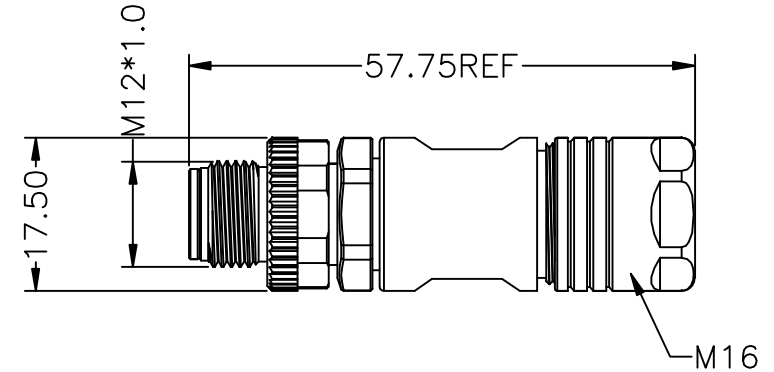
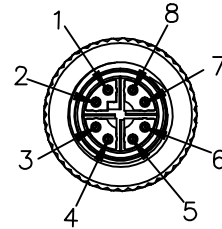
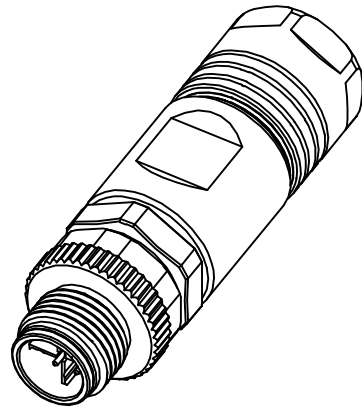


REV	DESCRIPTION	DATE	APPROVED
S0	CREATED DRAWING	2017/06/12	SXY


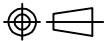


Detailed Product Description:  
 Waterproof connector rating is IP67  
 Protected from dust and water during immersion,  
 resistant to many oils and chemical etc

Electrical character  
 Rating voltage: 48V AC/DC  
 Insulation resistance: >100MΩ  
 Rating current : 0.5A  
 Contact resistance ≤5mΩ

Other Specification  
 Contact Pin: Brass with Gold plating  
 Coupling nut/screw/shell: Brass with nickel plating  
 Insulation plastic: PA66+GF  
 Degree of protection: IP67  
 Operating temperature: -25°C ~ +85°C

\*ALL MATERIALS ARE RoHS COMPLIANT.

 <b>SIGNAL</b> <sup>®</sup> Shen Zhen Signal Electronics co.,Ltd		TITLE M12-X coding male assemble connector	
		SGN NO 120708-01-002	REV.
DRAWN BY	DATE	DWG NO	
CHECKED BY	DATE	CUSTOMER	
APPROVED BY	DATE	S0	
<small>THE INFORMATION CONTAINED IN THIS DRAWING IS THE SOLE PROPERTY OF SIGNAL COMPANY. ANY REPRODUCTION IN PART OR WHOLE WITHOUT THE WRITTEN PERMISSION OF SIGNAL COMPANY IS PROHIBITED.</small>		TOLERANCES ARE: DECIMALES .x ±0.5 .xx ±0.20 ANGLES x.' ±2.0' .x' ±1.0'	THIRD ANGLE PROJECTION  SIZE: A4 UNITS: mm SCALE: SHEET: 1 OF 1