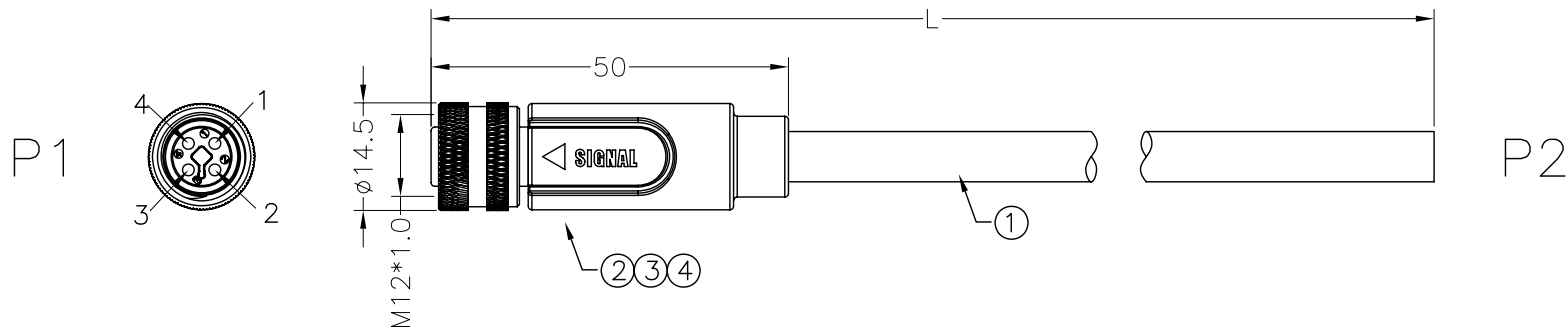


REV	DESCRIPTION	DATE	APPROVED
S0	CREATED DRAWING	2015/08/26	ZERA



Detailed Product Description:  
 Waterproof connector rating is IP67/IP68  
 Protected from dust and water during immersion,  
 resistant to many oils and chemical etc

Connector Electrical character  
 Rating voltage: 60V AC/DC ,  
 Insulation resistance: >100MΩ  
 Rating current : 12A  
 Contact resistance of connector ≤3mΩ

Other Specification  
 Contact PIN: Phosphor bronze with Gold plating.  
 Coupling nut/screw: Brass with nickel plating  
 Insulation plastic: PA66+GF  
 O-Ring: Viton  
 Degree of protection: IP67/IP68  
 Operating temperature: -40°C ~ +85°C


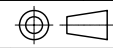
\*ALL MATERIALS ARE RoHS COMPLIANT.

SGN NO	L(mm)
SGNYD1509001-1A	3000±30
SGNYD1509001-1B	5000±50
SGNYD1509001-1C	10000±100

WIRE LIST

P1	COLOR	P2
1	BROWN	OPEN
2	WHITE	
3	BLUE	
4	BLACK	
SHELL	BRAID	

ITEM	PART NO.	SPECIFICATION	Q'TY	UNIT
④	PL00008	BLACK TPU 105°	6	g
③	PL00012	LD PE	3	g
②	N/A	M12 T CODING 4 PIN FEMALE CONNERTOR WITH SHIELD	1	SET
①	N/A	16AWG*2P+AEB JACKET BALCK PUR OD=8.5mm	1	PCS

 Shenzhen Signal Electronics Co., LTD		TITLE M12 T CODING 4P/F PUR CABLE	
		SGN NO SEE TABLE	
DRAWN BY		DATE	
CHECKED BY		DATE	
APPROVED BY		DATE	
<small>THE INFORMATION CONTAINED IN THIS DRAWING IS THE SOLE PROPERTY OF SIGNAL COMPANY. ANY REPRODUCTION IN PART OR WHOLE WITHOUT THE WRITTEN PERMISSION OF SIGNAL COMPANY IS PROHIBITED.</small>		TOLERANCES ARE: DECIMALES ANGLES .x ±0.15 x.' ±1.0' .xx ±0.10 .x' ±0.5'	
		THIRD ANGLE PROJECTION 	
		SIZE: A4	UNITS: mm
		SCALE:	SHEET: 1 OF 1